

CV Type

CV-07-50V
stand type 直立型



CV-7-50
with bend 彎管型



Features :

Vortex impeller is suitable for large-scale particle, strip foreign materials; the pumps handling waste is 70% of the pump outlet diameter.

Applications:

Drainage of the sewage / waste water from any kinds of factories.

CV Type

Upper auto fitting

without supporting frame



TCV 1/2-1Hp(with TS-50)



TCV 2-3HP(with TM-50(80))



TCV 5-7HP(with TL-80(100))



TS-50



TM-50(80)



TL-80(100)



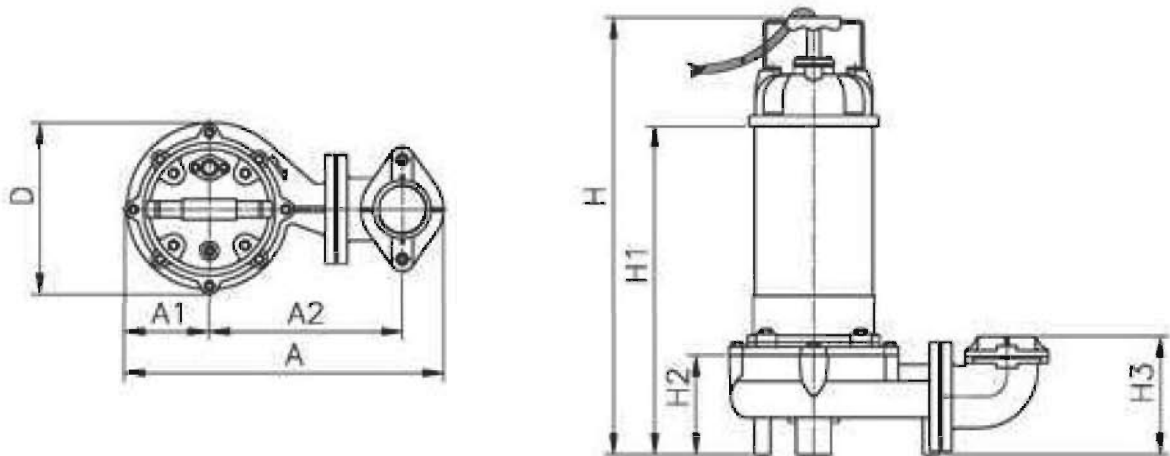
TCV with auto fitting

Specifications:

CV Type

50Hz

Model	Stand type	Output		Head M	Flow LPM	Stand Type Dimension (mm)							
		HP	kw			A	A1	A2	D	H	H1	H2	H3
CV-04-50	V	1/2	0.4	6	150	222	73	115	145	410	297	113	133
CV-07-50	V	1	0.75	8	200	222	73	115	149	464	340	113	133
CV-15-50/80	V	2	1.5	10	400	316	103	163	208	546	398	120	152
CV-22-50/80	V	3	2.2	11	450	316	103	163	208	566	418	120	152
CV-07-50/80		1	0.75	8	200	316	81	185	163	471	347	120	153
CV-15-50/80		2	1.5	10	300	387	103	234	208	548	400	122	153
CV-22-50/80		3	2.2	11	350	387	103	234	208	568	420	122	153
CV-37-80/100		5	3.7	15	550	459	110	256	227	638	471	160	220
CV-55-80/100		7.5	5.5	20	650	459	110	256	227	678	511	160	220

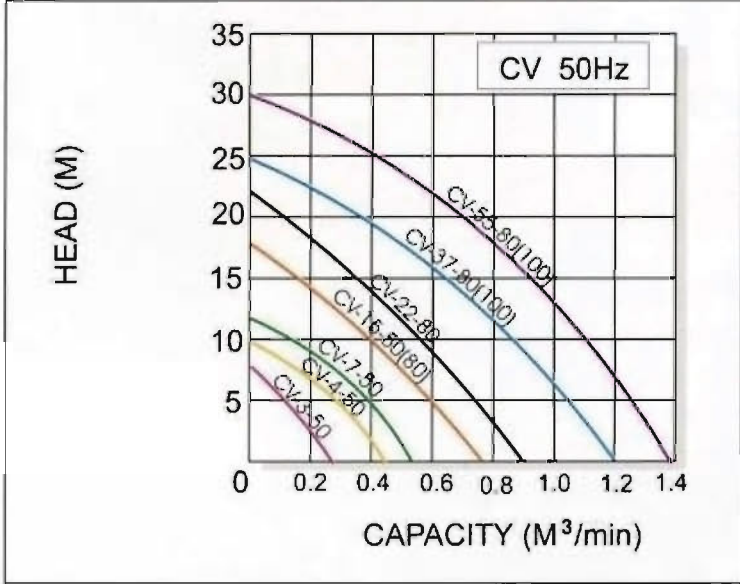
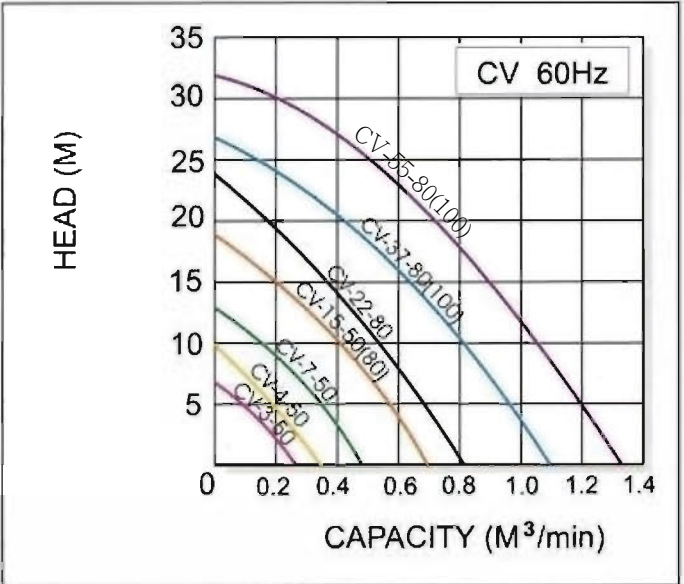


60Hz

Model	Stand type	Output		Head M	Flow LPM	Stand Type Dimension (mm)							
		HP	kw			A	A1	A2	D	H	H1	H2	H3
CV-04-50	V	1/2	0.4	6	150	222	73	115	145	410	297	113	133
CV-07-50	V	1	0.75	8	200	222	73	115	149	464	340	113	133
CV-15-50/80	V	2	1.5	10	400	316	103	163	208	546	398	120	152
CV-22-50/80	V	3	2.2	11	450	316	103	163	208	566	418	120	152
CV-07-50/80		1	0.75	8	200	316	81	185	163	471	347	120	153
CV-15-50/80		2	1.5	10	300	387	103	234	208	548	400	122	153
CV-22-50/80		3	2.2	11	400	387	103	234	208	568	420	122	153
CV-37-80/100		5	3.7	15	450	459	110	256	227	638	471	160	220
CV-55-80/100		7.5	5.5	20	650	459	110	256	227	678	511	160	220

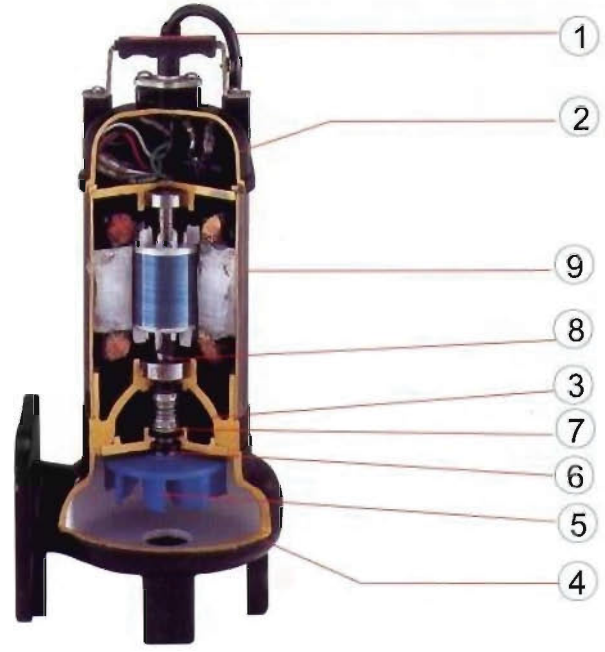
CV Type

Performance:



Construction:

No.	Parts	CV type	KCV type
1	Cable	VCT	SUS 316
2	Motor cover	FC200	SUS 316
3	Oil chamber	FC200	SUS 316
4	Casing	FC200	SUS 316
5	Impeller	FC200	SUS 316
6	Oil seal	NBR	VITON
7	Mech. Seal	CA/CE	Sic/Sic
8	Shaft	SUS 410	SUS 316
9	Housing	SUS 304	SUS 316



Note: 1. The motor cover is made of Nylon 66 including CV-3, CV-4, CV-7, KCV-7 models.
 2. Specifications and features can be changed for improvement without notice.



SUN MINES ELECTRICS CO., LTD

7F, No.153, Sec. 3, Beishen Rd, Shengkeng Dist, New Taipei City 22203, Taiwan
 TEL : +886-2-2662-9292 FAX : +886-2-2662-7575
 E-mail : info@sunmines.com.tw Website: www.blowtac.com.tw